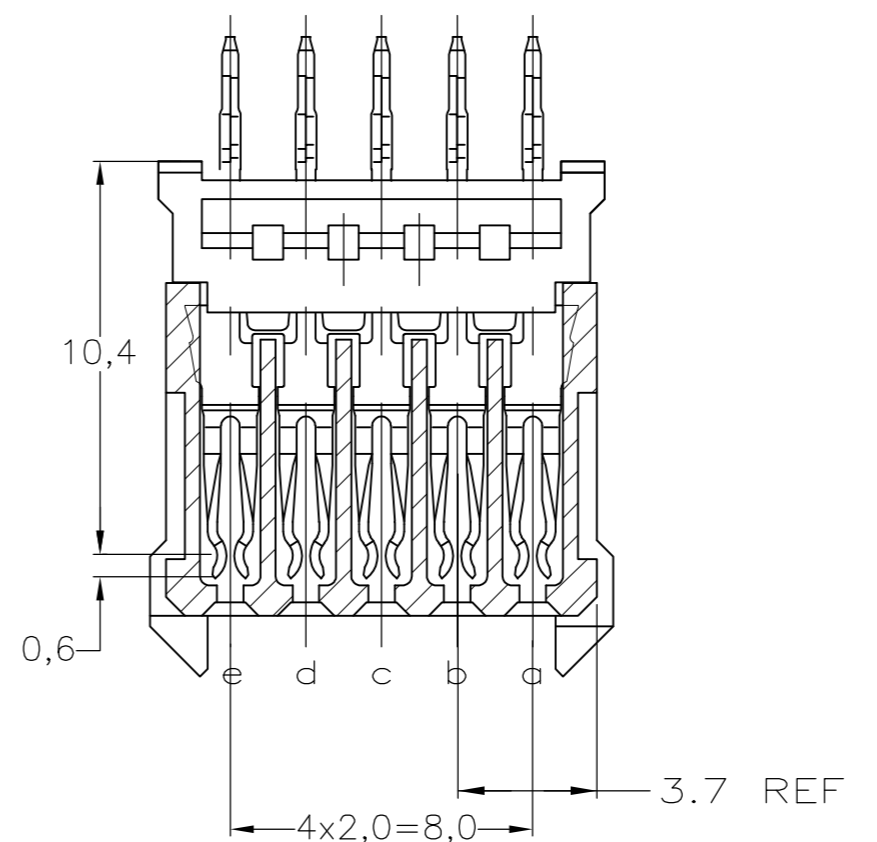
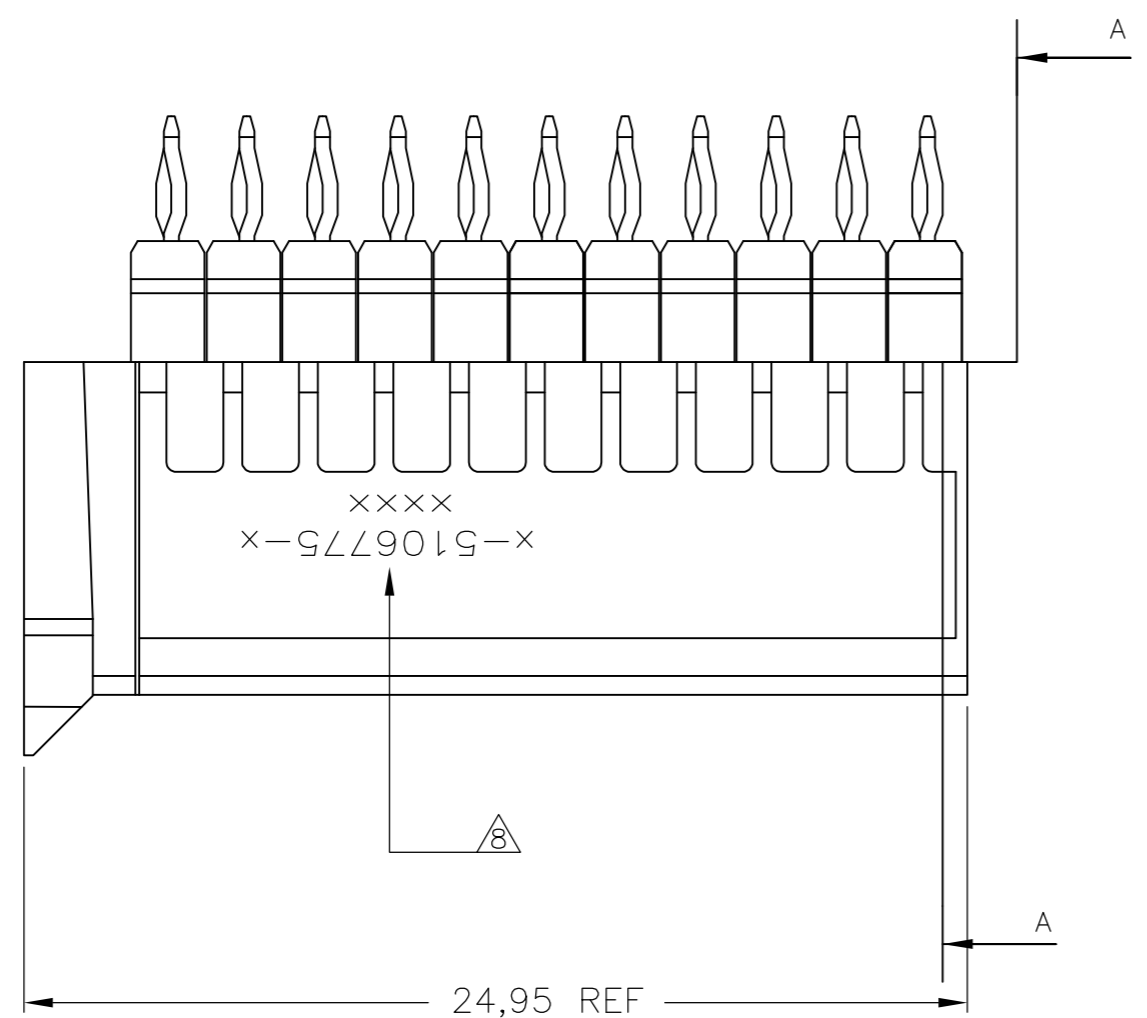
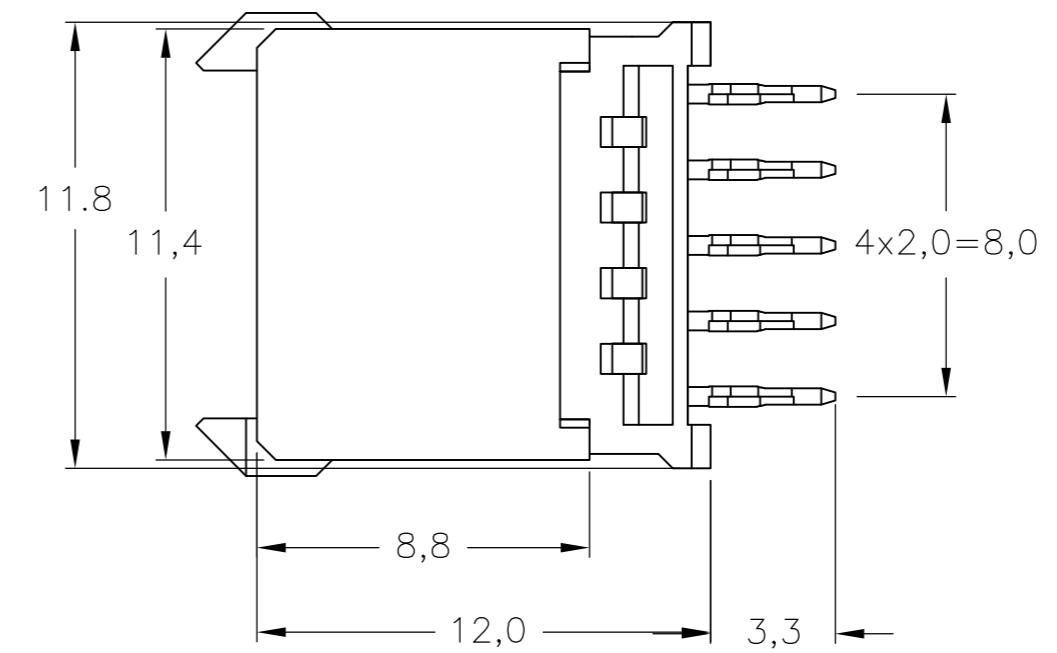
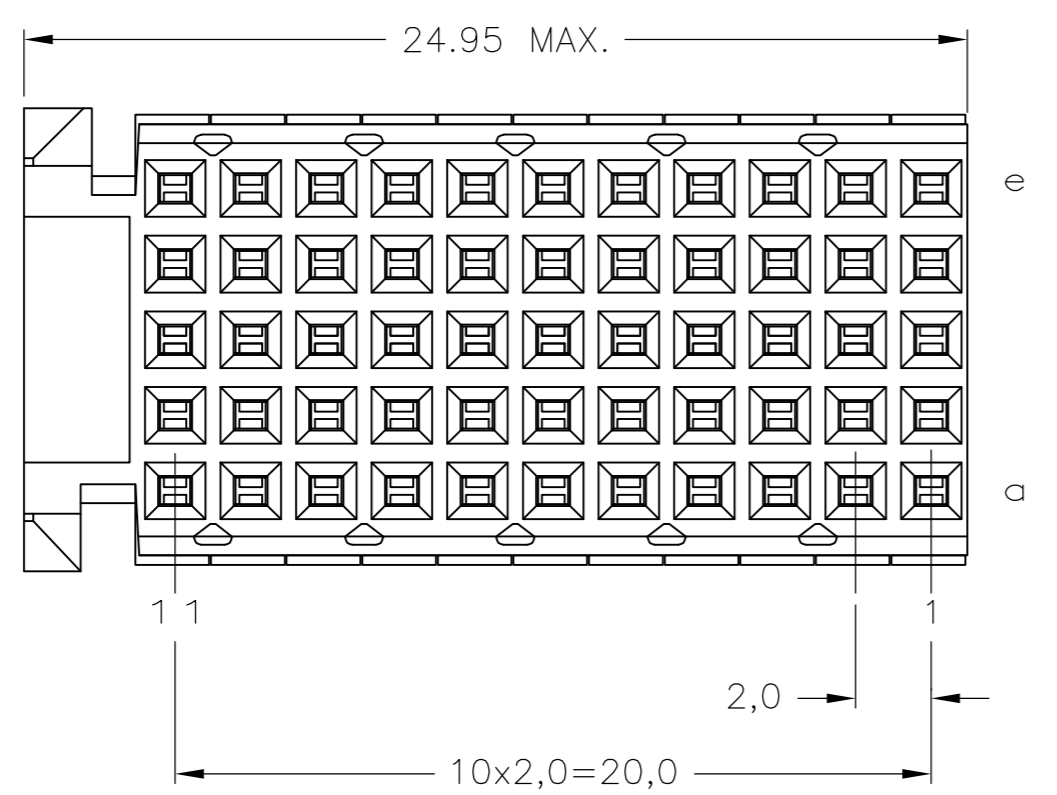


THIS DRAWING IS UNPUBLISHED. RELEASED FOR PUBLICATION  
 © COPYRIGHT - By - ALL RIGHTS RESERVED.

LOC		DIST		REVISIONS			
P	LTR	DESCRIPTION	DATE	DWN	APVD		
G		REVISED PER ECO-13-010456	25JUN2013	SY	FY		

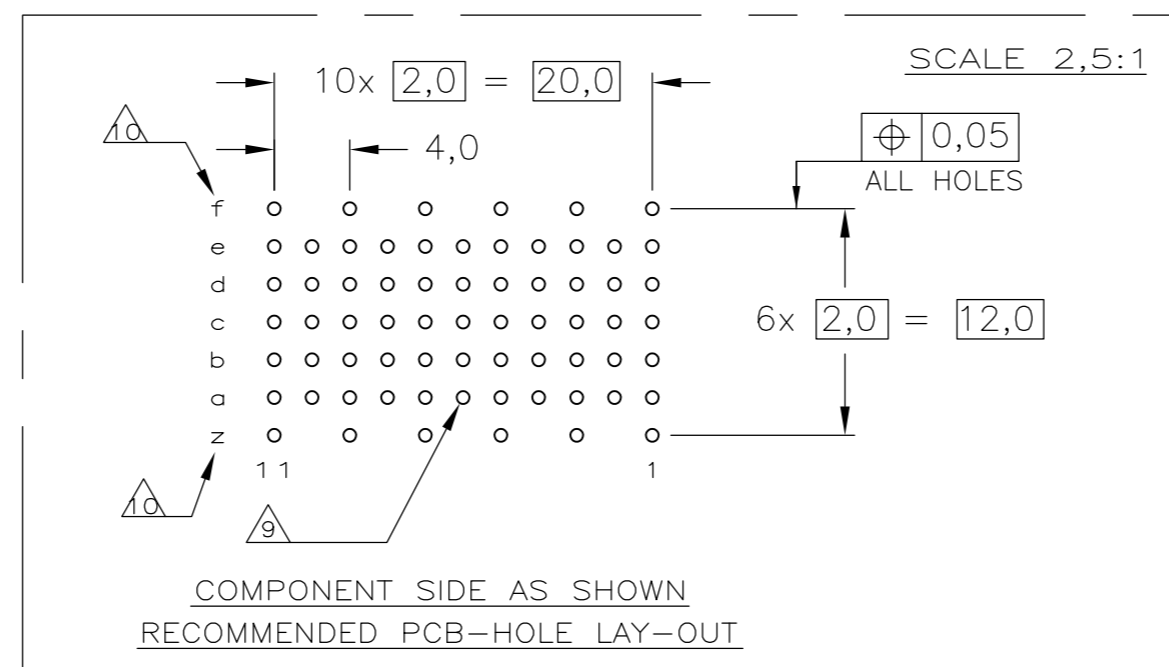


SECTION A-A



NOTES:

- ⚠ MATERIAL CONTACT: PHOSPHORBRONZE  
MATERIAL HOUSING: GLASSFILLED POLYESTER  
UL-RATING 94VO (GRAY).
- ⚠ GENERAL PLATING SPECIFICATION: UNDERPLATING (ENTIRE CONTACT):  
1,27µm NICKEL MIN. AND ACTION PIN: 0,5µm TIN MIN.  
FOR PLATING OF MATING SURFACES SEE APPLICABLE  
SPECIFICATION REFERENCE FOR EACH DASH NUMBER.
- ⚠ CONFORMS TO ALL TESTING ACCORDING IEC 61076-4-101  
PERFORMANCE LEVEL 2.
- ⚠ CONFORMS TO ALL TESTING ACCORDING IEC 61076-4-101  
PERFORMANCE LEVEL 1.
- ⚠ CONNECTOR TESTED AND QUALIFIED AGAINST TELCORDIA GR-1217-CORE  
QUALITY LEVEL III, CENTRAL OFFICE APPLICATIONS.
- ⚠ CONNECTOR TESTED AND QUALIFIED AGAINST TELCORDIA GR-1217-CORE  
QUALITY LEVEL III, UNCONTROLLED ENVIRONMENT APPLICATIONS.
- ⚠ CONNECTOR LUBRICATED WITH TELCORDIA GR-1217-CORE  
APPROVED LUBRICANT.
- ⚠ CONNECTOR PRINTED WITH PARTNUMBER AND DATECODE.
- ⚠ PLATED-THROUGH HOLES AT 2x2mm SQUARE GRID (55 HOLES).
- ⚠ HOLES IN ROW f AND z FOR POSSIBLE FUTURE USE OF  
GROUND RETURN SHIELD. (SHIELDS NOT YET TOOLED)
- ⚠ 0,76µm MIN. GOLD PLATING AT MATING SURFACE



P.C.B. HOLE DIM. ACTION PIN  
FOR DETAILS SEE  
APPLICATION SPECIFICATION

FINISH	MATERIAL	PARTNUMBER
⚠⚠⚠	⚠	3-5106775-0
⚠⚠⚠	⚠	1-5106775-9
⚠⚠⚠	⚠	5106775-9
⚠⚠⚠	⚠	5106775-4
⚠⚠⚠	⚠	5106775-1

THIS DRAWING IS A CONTROLLED DOCUMENT.		DWN K.N.KIRAN 13AUG2004		
DIMENSIONS: mm		CHK B.MOOIJ 27OCT2004		
TOLERANCES UNLESS OTHERWISE SPECIFIED:		APVD B.MOOIJ 27OCT2004	NAME	
0-PLC ±		PRODUCT SPEC	Z-PACK 2mm HM TYPE C	
1-PLC ±		APPLICATION SPEC	55 POS. VERTICAL FEMALE	
2-PLC ± ±0.2		108-19082	CONNECTOR ASSEMBLY	
3-PLC ±		114-19029	SIZE	RESTRICTED TO
4-PLC ±		WEIGHT	A2	
ANGLES ±		CUSTOMER DRAWING	CAGE CODE	
FINISH		SCALE	00779	
		SHEET	C=5106775	
		1 OF 1		
		REV	G	